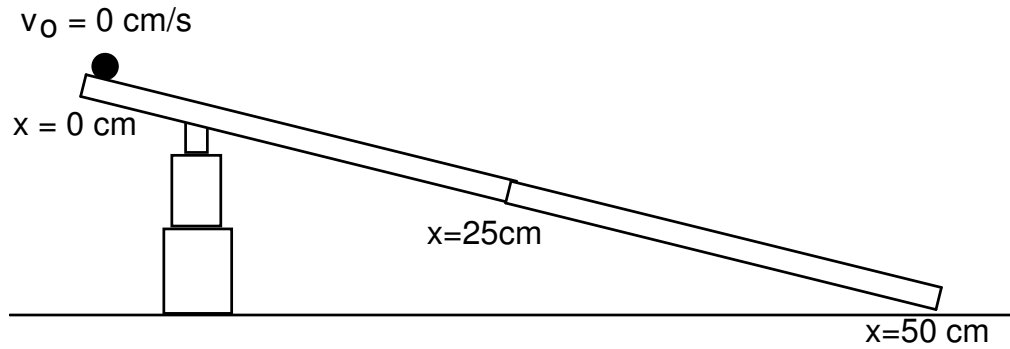


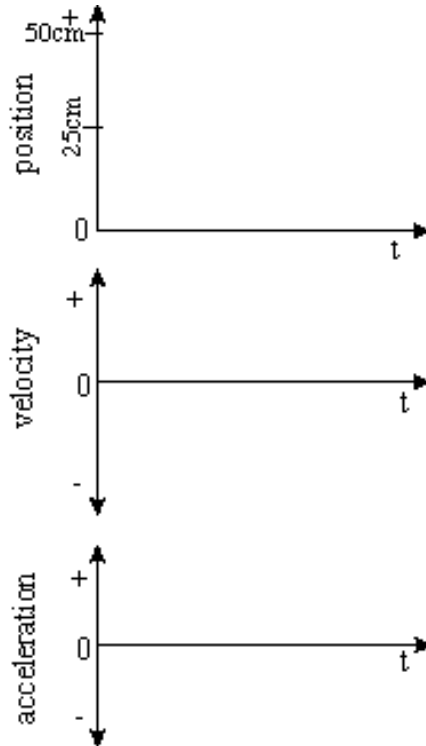
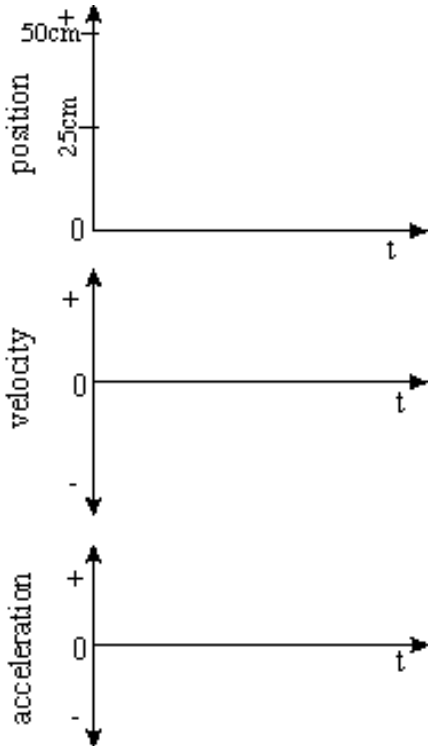
Unit 1 Worksheet 6: Accelerated Motion Representations

1.

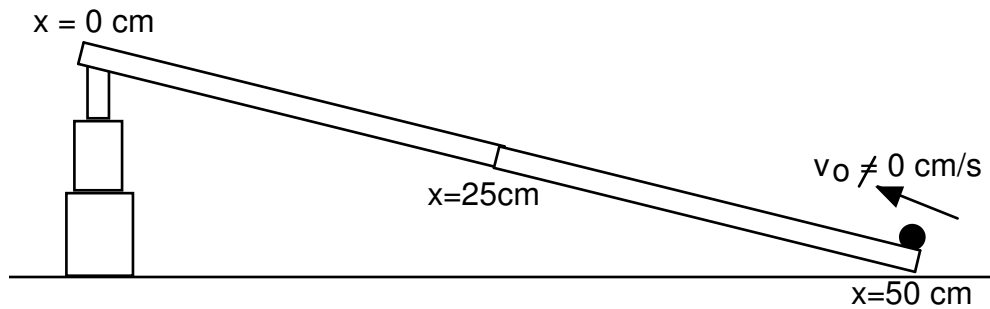


Draw graphs corresponding to the motion of the ball in problem 1.

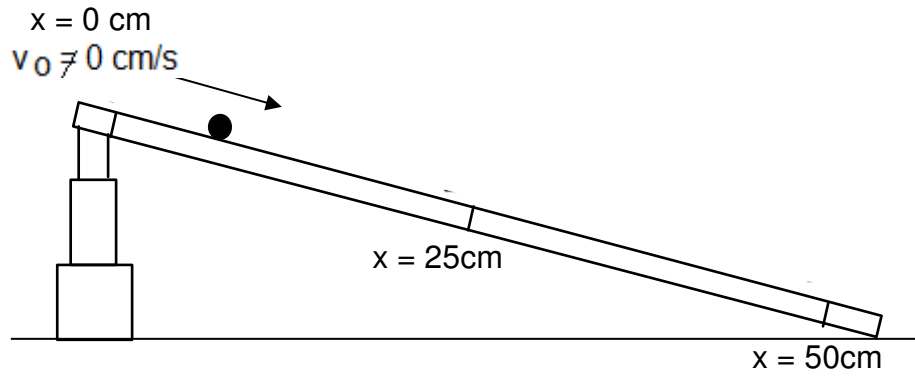
Draw graphs corresponding to the motion of the ball in problem 2 up until it reaches the top of the ramp.



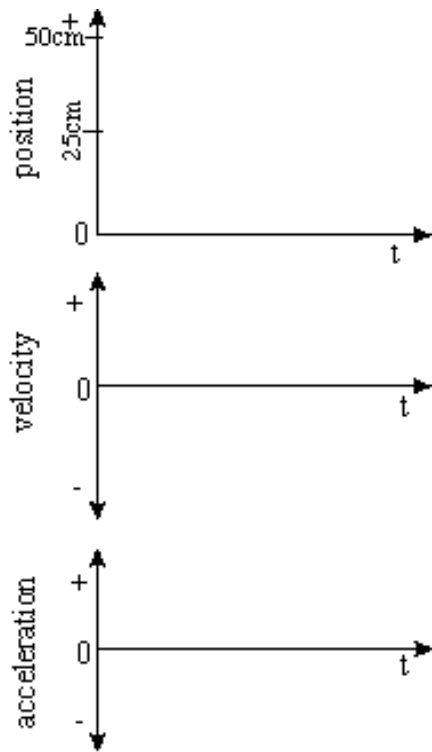
2.



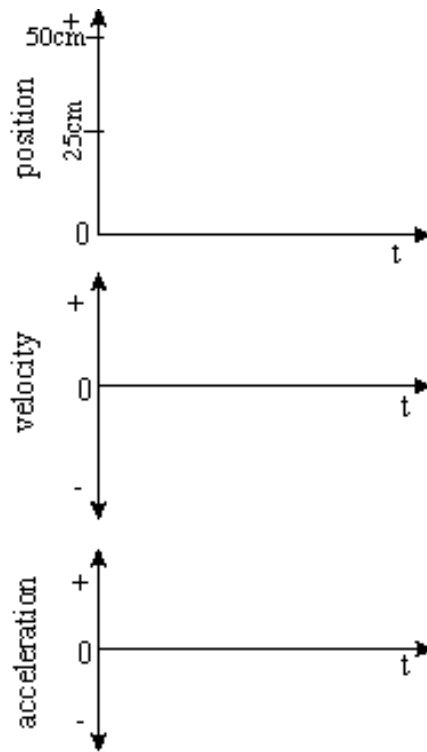
3.



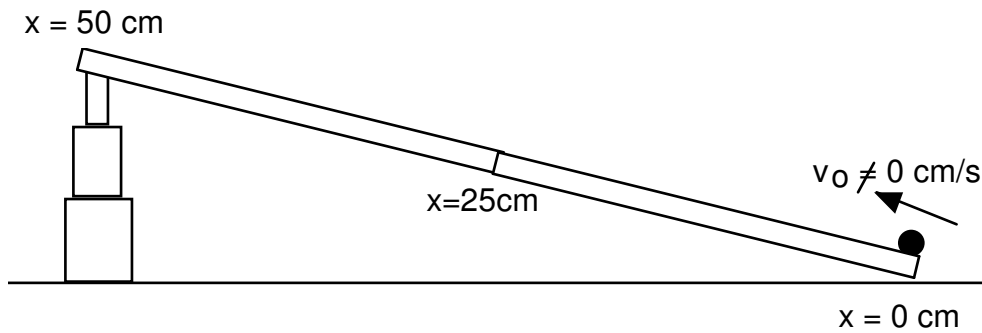
Draw graphs corresponding to the motion of the ball in problem 3.



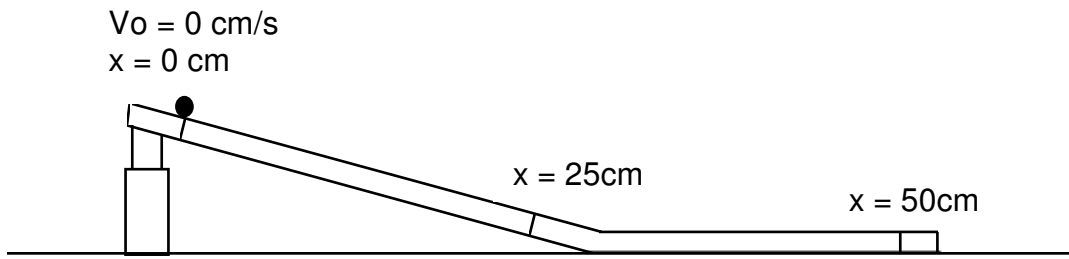
Draw graphs corresponding to the motion of the ball in problem 4 as it rolls up the ramp and then back down.



4.

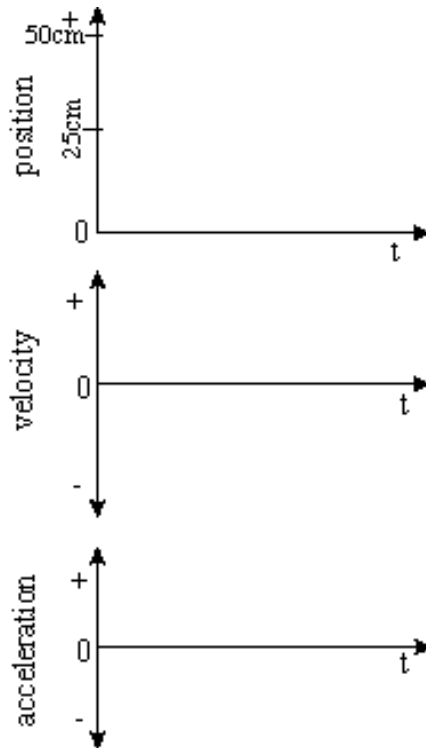
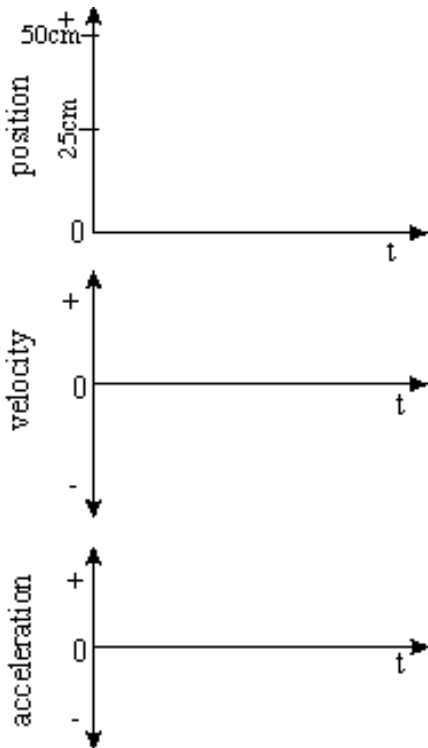


5.

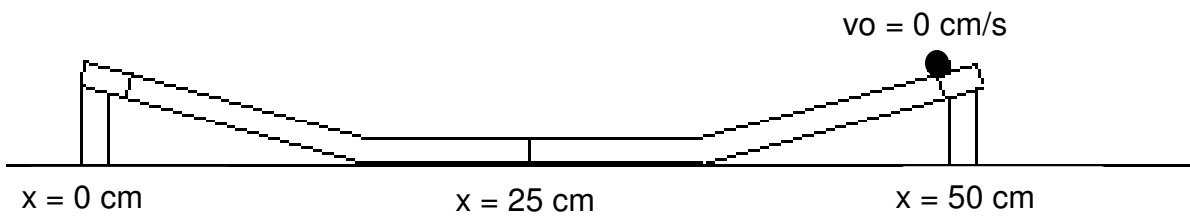


Draw graphs corresponding to the motion of the ball in problem 5.

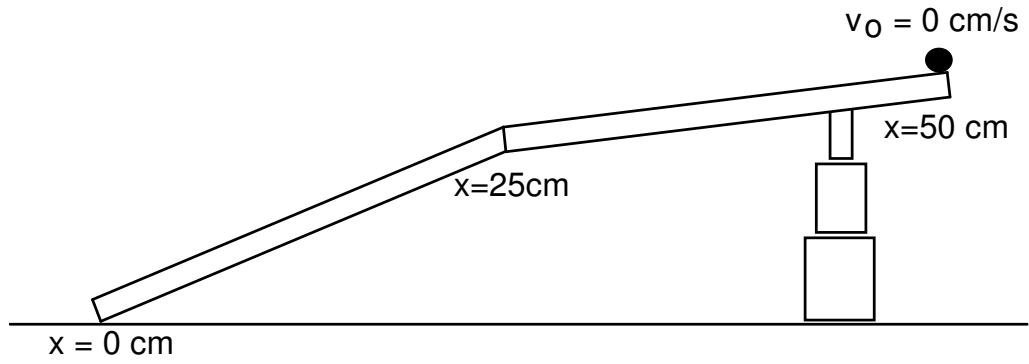
Draw graphs corresponding to the motion of the ball in problem 6 as it down the ramp and up the other side.



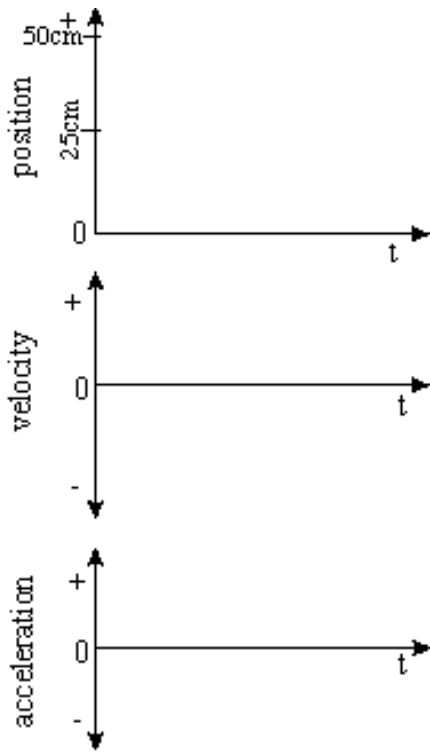
6.



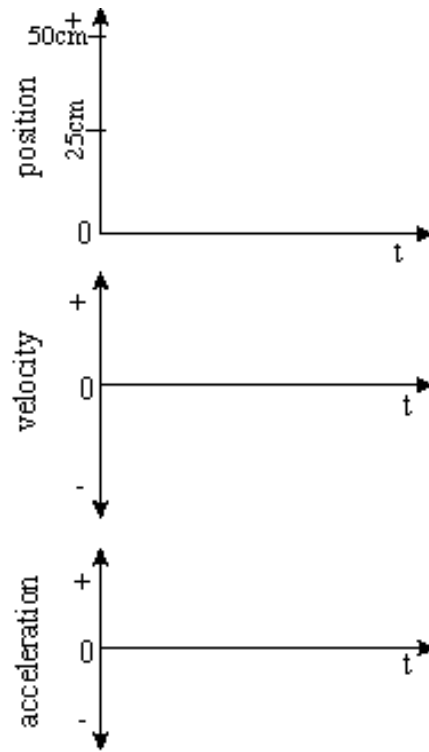
7.



Draw graphs corresponding to the motion of the ball in problem 7.



Draw graphs corresponding to the motion of the ball in problem 8.



8.

