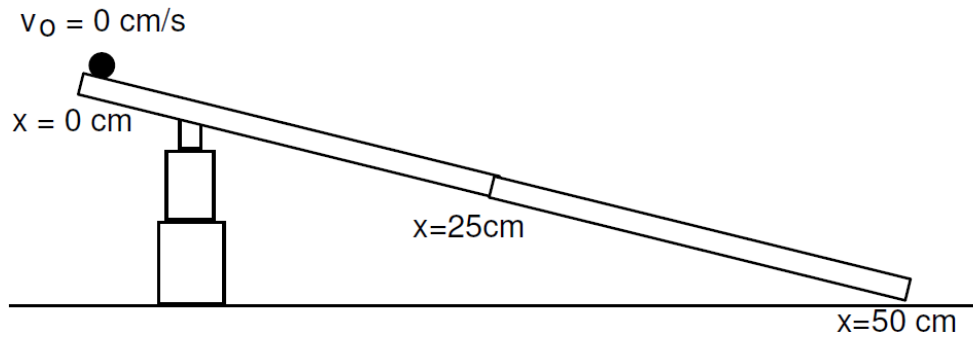


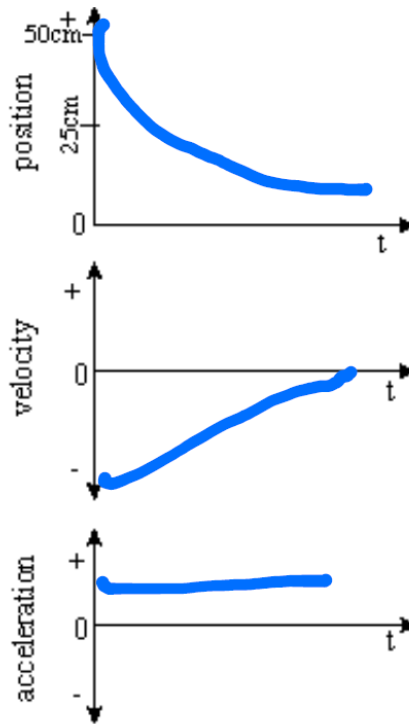
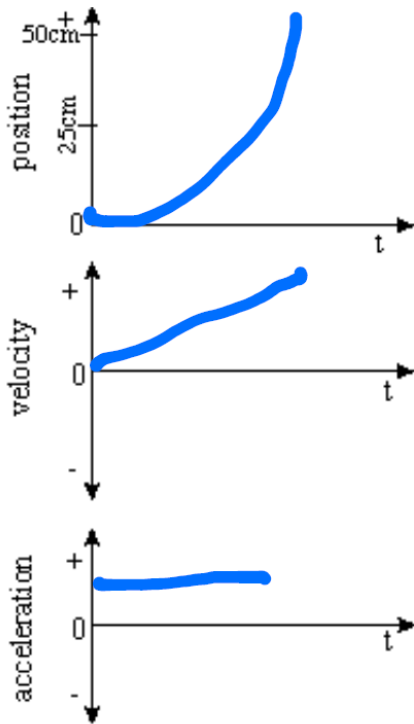
Unit 1 Worksheet 6: Accelerated Motion Representations

1.



Draw graphs corresponding to the motion of the ball in problem 1.

Draw graphs corresponding to the motion of the ball in problem 2 up until it reaches the top of the ramp.



2.

